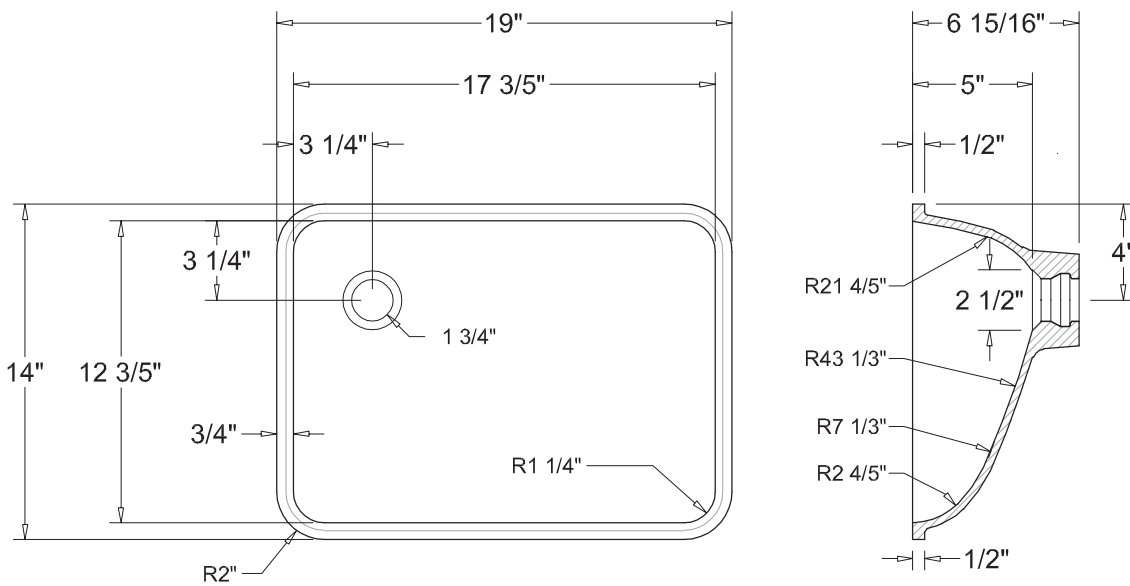


Single Sink 1419 (New)

- ADA Compliant
- Sealed overflow for maximum bacterial protection
- Offset Drain Hole
- Acrylic blend
- Limited Warranty (10 years)
- Manufactured in Mexico



Available Colors



Dimensions

	Width	Length	Depth
Overall	19" (483 mm)	14" (356 mm)	6 15/16" (176 mm)
Inner	17 3/5" (447 mm)	12 3/5" (320 mm)	5" (127 mm)

* Metric conversions are approximate
** Dimensions can vary by 1/16"