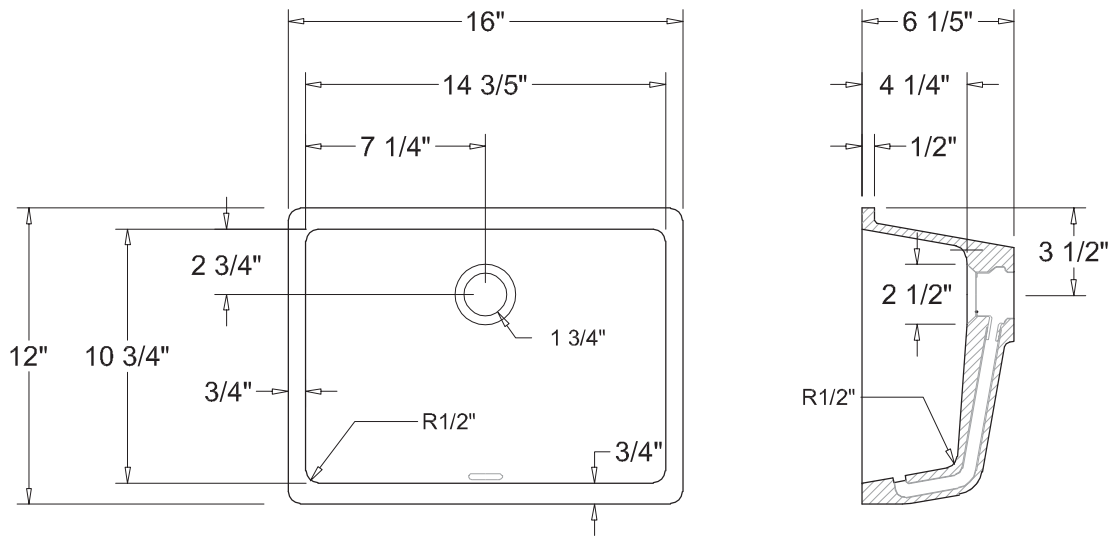


Single Sink 1216B (New)

- Internal overflow for residential and commercial use
- Offset Drain Hole
- Acrylic blend
- Limited Warranty (10 years)
- Manufactured in Mexico



Available Colors



Dimensions

	Width	Length	Depth
Overall	16" (406 mm)	12" (305 mm)	6 1/5" (157 mm)
Inner	14 3/5" (371 mm)	10 3/4" (273 mm)	4 1/4" (108 mm)

* Metric conversions are approximate
** Dimensions can vary by 1/16"