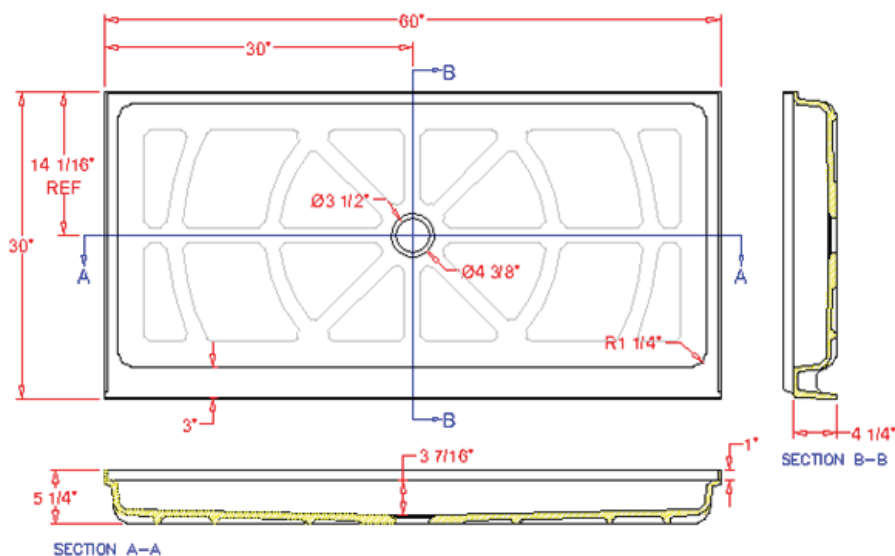
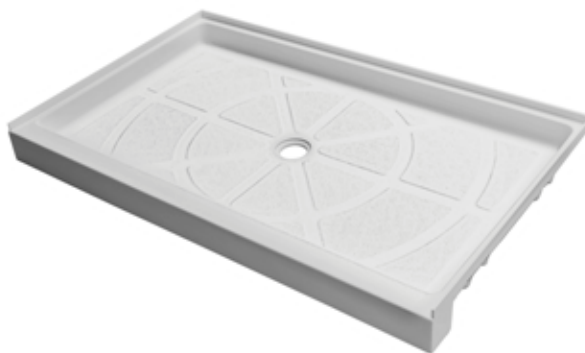
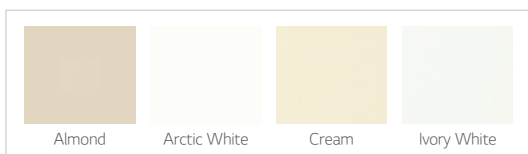


## LG-3060 Standard Shower Pan

- Standard Threshold / Center Drain
- Satin Finish
- Solid Surface casting in one piece construction
- Acrylic blend
- Limited Warranty (10 years)
- Manufactured in Mexico



### Available Colors



### Dimensions

|         | Width             | Length           | Depth           |
|---------|-------------------|------------------|-----------------|
| Overall | 30" (762mm)       | 60" (1524mm)     | 5 1/5" (132 mm) |
| Inner   | 25 7/10" (653 mm) | 57 1/2" (1461mm) | 3 2/5" (86 mm)  |

\* Metric conversions are approximate  
\*\* Dimensions can vary by 1/16"